

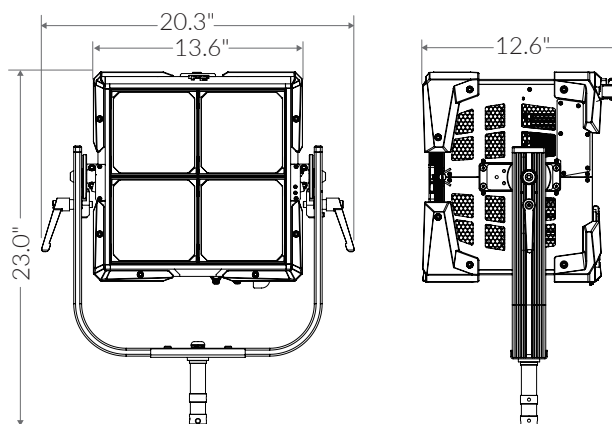
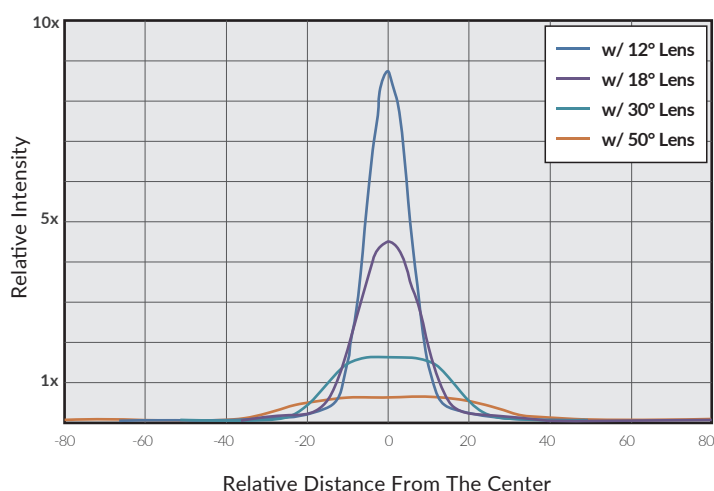
The **K10 COLOR** is a super-bright punch light that emits 900W of LED illumination in a tiny 12" x 12" form factor. This fixture uses the latest iteration of Fiilex's Dense Matrix LED technology to deliver color quality and optical versatility that are superior to previous generations of LED punch lights. Individually swappable lenses and pixel control allow for incredibly high levels of customization and control over the light output. With its smooth dimming from 0-100%, no flicker, high CRI, and CRMX wireless built in, the K40 COLOR excels in any production setting and can be used on a floor stand, rigged into a grid, or hung side by side on a rail.



FEATURES

- High-CRI white light output (2000-10000K)
- 8 and 16-bit color modes: CCTRGBW, CCTHSI, CIExy, etc.
- Removable diffuser / honeycomb accessories
- Interchangeable pixel lenses (12°/18°/30°/50°)
- DMX-controllable fan modes: OFF / SILENT / AUTO / FULL
- IP-X5 Rating (water resistant)

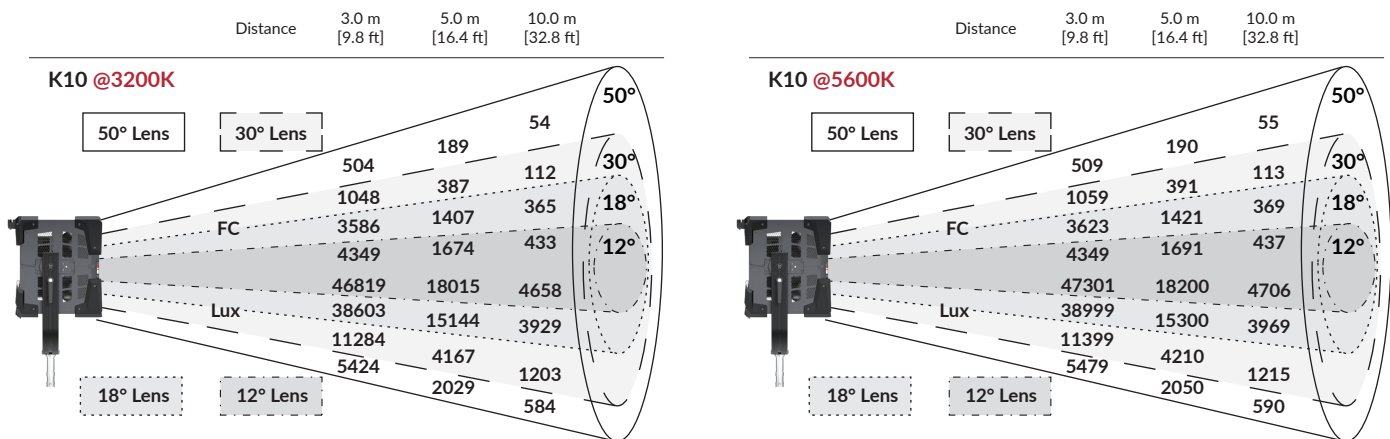
BEAM PROFILE



SPECIFICATIONS

Beam Angle	12° with lens (18°/30°/50° with optional lens accessories)
CCT Range	2000-10000K continuous tuning + magenta/green shift
CRI / TLCI	95 / 90 typical
Control Modes	CCT, HSI, RGBW, GEL, CCTRGBW, CCTHSI, CIEy, ICTHS, and more
Dimming	100 - 0% flicker free
Dimming Modes / Curve	Smooth, Sharp / Linear, Gamma
Light Engine	DiCon Dense Matrix LED
Power Consumption	900W max AC
BTUs/hour	3071 (BTUs/hour) max
AC Input	100 - 240V AC, 50~60Hz
DMX/RDM Port	XLR-5
Wireless Control	Integrated LumenRadio CRMX TimoTwo
Ethernet	sACN, ArtNet (via etherCON)
USB Power Output	5V/1A (via USB-A)
USB-C Interface	FW Update / Remote
Weight	Fixture: 34.1lbs / 15.5kg (With Yoke)
Size (L x W x H)	23.0" x 20.3" x 12.6" / 58.3cm x 51.6cm x 31.9cm (With Yoke) 13.6" x 14.4" x 12.6" / 34.5cm x 36.7cm x 31.9cm (Light Head Only)
Mount Type	Combo (baby stud female / junior stud male)
IP Rating	IP-X5 (water-resistant)
Thermal Design	Controllable fan (OFF / SILENT / AUTO / FULL)
Operating Temperature	32 - 104°F / 0 - 40°C

PHOTOMETRIC DATA



OPTIONAL ACCESSORIES



RPX
FLXRPU



K10 Light Diffusion
FLXK10CLR-LIGHTDIFF



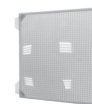
K10 Honeycomb
FLXK10CLR-HONEYCOMB



12° Lens
(Pack of 4)
FLXK10CLR-FRNL12



18° Lens
(Pack of 4)
FLXK10CLR-FRNL18



30° Lens
(Pack of 4)
FLXK10CLR-FRNL30



50° Lens
(Pack of 4)
FLXK10CLR-FRNL50